

OPEN FRAME LCD

8.4" LCD Monitor, 800x600, 450nits LED Backlight Wide Temp(-30~85C), VGA and 12VDC with external 100-240VAC power adapter

Model: FOP8400-C1



FEATURES:

- Modularize mechanical design provides flexible product configuration and easy maintenance.
- VGA connector with optional AV.SV.AV-Looping.
- Optional build-in touch screen for interactive application.
- Available with auto-brightness sensor offers application in day and night
- Complete custom design/solution for OEM customers

SPECIFICATIONS

Panel	Cell Type / Glass Surface	TFT LCD / Black Anti-Glare, low reflection coating	
	Aspect Ratio / Size	4 : 3 / 8.4" viewable diagonal area	
	Active Area / Pixel Pitch	170.4(H) x 127.8(V) mm / 0.213(H) x 0.213(V) mm	
	Native Resolution / Colors	800(H) x 600(V) / 262 K	
	Brightness / Contrast	450 cd/m ² (typ) / 400 : 1	
	Response Time	Λ 35 ms	
	Viewing Angle (typical)	H. 140° (- 70° ~ + 70°) , V. 120°(- 60° ~ + 60°)	
	Light Source	CCFL , Long life, 50,000 hrs (typ)	
Input Sources	PC System	Signal	Analog RGB (0.7/1.0 V _{p-p} , 75 ohms)
		Sync	Separate Sync, Composite Sync, Sync On Green
		Frequency	F _H : 30 - 82Khz , F _v : 50 - 75Hz
	Audio System	2W Amplifier	
Input Terminals	1 x VGA (15 Pin Female D-Sub), 1 x PC Audio (Stereo Headphone Jack), 1 x DC Power Plug		
Convenient Features	Auto Calibration , Back Light Adjustment, Plug&Play (VESA DDC/CI, DDC 2B)		
	OSD Multi-Languages , Wall Mount Ready (VESA 75 x 75 mm)		
Power	12VDC with External 100-240VAC Power Adapter		
Power Consumption	Operation / Power Saving	16 watt, < 2 watt (Support DPMS)	
Operating Condition	Temperature / Humidity	-30°C ~ 85°C (-22°F ~ 185°F), 10% ~ 90% (no condensation)	
Storage Condition	Temperature / Humidity	-20°C ~ 60°C (- 4°F ~ 140°F), 10% ~ 90% (no condensation)	
Certification	FCC,CE		
Dimensions	Physical	With Flanges(W x H x D): 216.0 x 173.0(Screw center-to-center) x 59.0	
		Without Flanges(W x H x D): TBD	
	Carton	W x H x D = 325 x 330 x 135 mm	
Weight	N.W. / G.W.	2.5 Kgs / 3.5 Kgs	
Container Loaded	20ft / 40ft / 40ft HQ	TBD (Sets , By pallet)	

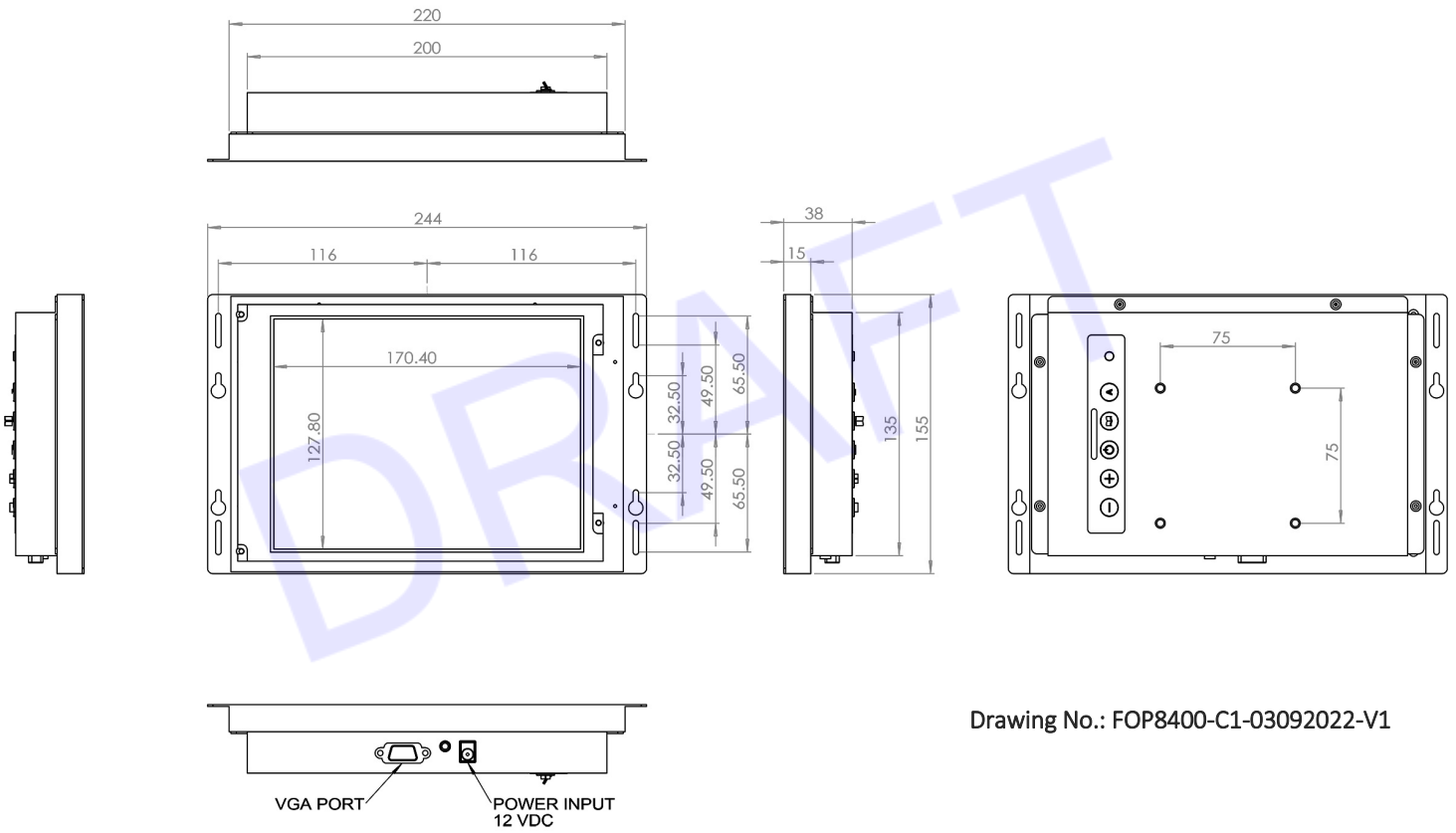
Options	Touch	Video / TV	Enhanced Panel	Others
	Resistive (With glass)	SV + AV	Panel with LED backlight	Digital Signage(Stand alone)
	Capacitive	SV + AV + AV Looping	High brightness panel	Networking Digital Signage
	SAW	SV + AV + TV	Wide Temperature	Motion Sensor
	Infrared		Sun Light Readable	Light Sensor
				Auto-Dimming

*Specifications subject to change without notice, not responsible for typographical errors.

Modified Date: 03-09-2022

MECHANICAL DRAWINGS

This is subject to change without Notice. Final Drawings Will be Provided for Approval after Order.



Drawing No.: FOP8400-C1-03092022-V1